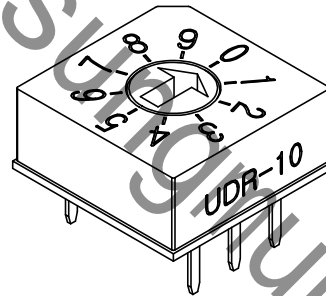
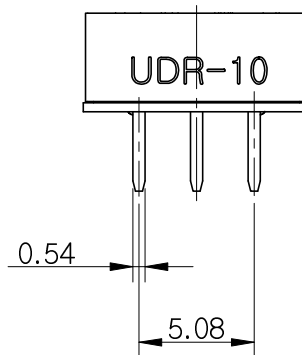
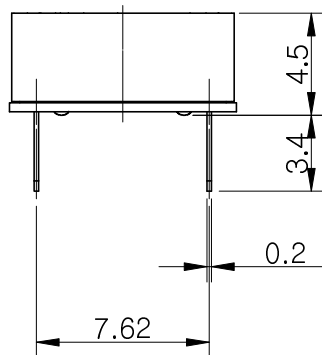
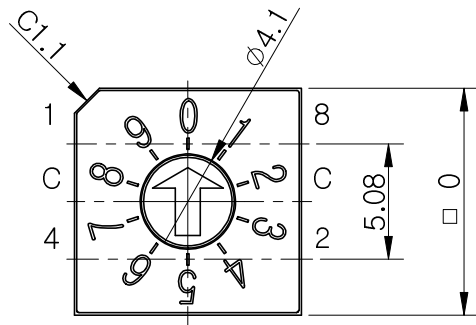
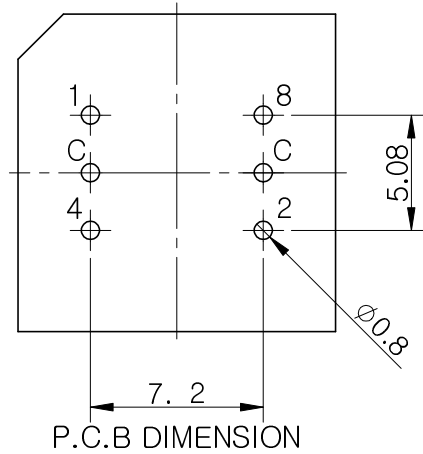


MRK.	DATE	REVISION	SIGN
△			



Specification

- Rating : 25mA, 12V DC (Switching)
25mA, 24V DC (None-Switching)
- Contact Resistance : 100mΩ Max
- Insulation Resistance : 100MΩ Min
- Operating Force : 700gf Max
- Life cycle : 10,000 steps

		Real Code				
		C	1	2	4	8
10 P O S	0	●				
	1	●	●			
	2	●		●		
	3	●	●	●		
	4	●			●	
0 P O S	5	●	●		●	
	6	●		●	●	
	7	●	●	●	●	
	8	●				●
	9	●	●			●
t P O S i o n	A	●		●		●
	B	●	●	●		●
	C	●			●	●
	D	●	●		●	●
	E	●		●	●	●
F	●	●	●	●	●	

STANDARD LAYOUT

01	UDR Series	재질 <지정안함>		1	-
NO.	DESCRIPTION	MATERIAL		COLOR/FINISH	VENDOR
DRAW/DESIGNED	CHECKED	APPROVED	G.TOL	TITLE	
			±0.1	UDR Series	
2017-03-09			UNIT	SCALE	MODEL
			mm	3:1	UDR-10
BONSDA ELECTRONICS 深圳市子庚科技有限公司			SIZE	DRAW NO.	SHEET
			A4	U0DR-1000-01	1/1