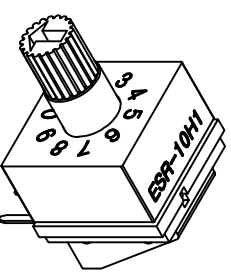
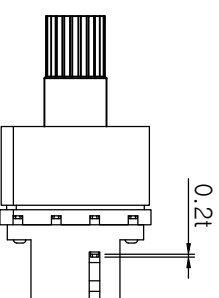
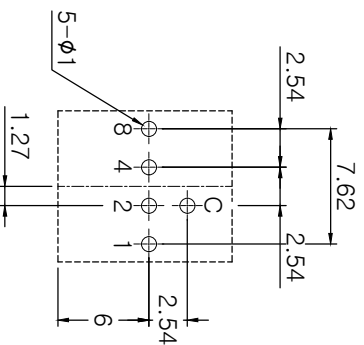
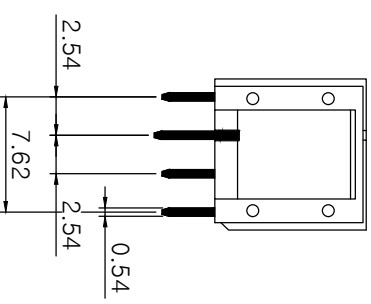
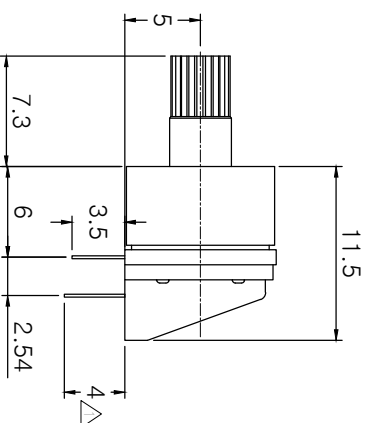
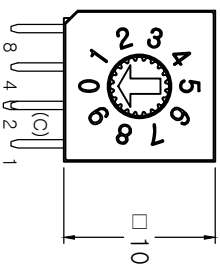
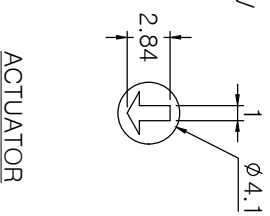


MRK.	DATE	REVISION	SIGN
△	21.12.14	Terminal Length 3.5mm --> 4mm	

SPECIFICATION

1. Rating : 150mA, DC 42V (Switching)
200mA, DC 42V (None-Switching)
2. Contact Resistance : 80mΩ Max
3. Insulation Resistance : 100MΩ Min at DC 250V
4. Operating Force : 700gf Max
5. Life cycle : 10,000 steps
6. Sealing : IP67 (Dust & Water proof)
7. Packing : 50pcs Tube



Real Code		C	1	2	4	8	0
0	●						0
1	●		●				1
2	●			●			2
3	●				●		3
4	●					●	4
5	●		●				5
6	●			●			6
7	●				●		7
8	●					●	8
9	●		●				9

DRAW/DESIGNED	CHECKED	APPROVED	UNIT	G.TOL	TITLE	REV.
J.S YANG	W.J LEE	K.I LEE	mm	±0.3	ROTARY DIP SWITCH	
2022-01-07	2022-01-07	2022-01-07		SCALE	MODEL NO.	
				2:1	ESR-10H1	
				SIZE	DRAW NO.	
				A4	ESR-10H1-04	04

