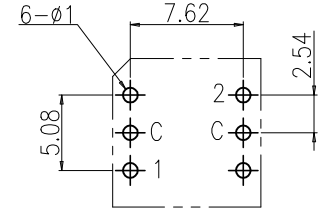


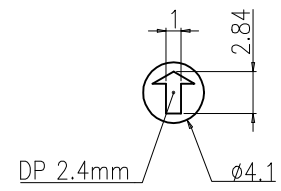
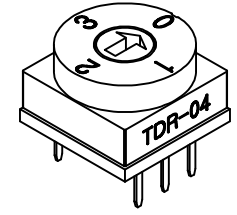
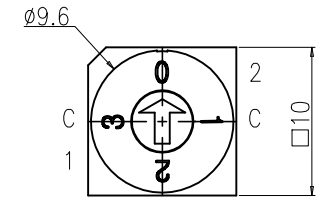
REV NO.	DATE	REVISION	DR	CH	APP
⚠	24.11.13	DIN ISO-2768-1m tolerance applied / Re-dimension of drawings	W.R KYUNG	K.N KIM	W.J LEE

SPECIFICATION

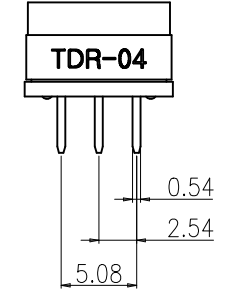
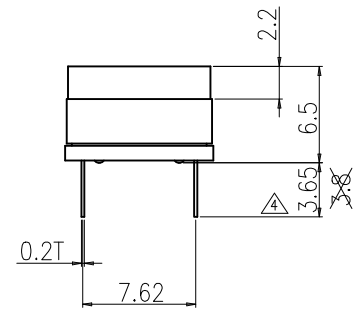
- Rating : 150mA, DC 42V (Switching)
200mA, DC 42V (None-Switching)
- Contact Resistance : 80mΩ Max
- Insulation Resistance : 100MΩ Min at DC 250V
- Operating Force : 700gf·cm Max
- Life cycle : 10,000 steps
- Sealing : IP67 (Dust & Water proof)
- Packing : 50pcs Tube



P.C.B DIMENSION (Top View)



ACTUATOR



04 P o s i t i o n	Real Coded			0
	C	1	2	
0	●			0
1	●	●		1
2	●		●	2
3	●	●	●	3

DRAW/DESIGNED	CHECKED	APPROVED		G.TOL	TITLE	ROTARY DIP SWITCH	
J.S YANG	W.J LEE	K.L LEE		±0.1/4			
Din ISO-2768-1m			UNIT	SCALE	MODEL NO.	TDR-04	REV.
Ranges	0.5~3	3~6	6~30	30~120	120~400		
Tolerance	±0.1	±0.1	±0.2	±0.3	±0.5	SIZE	A4
深圳市子庚科技有限公司					DRAW NO.	TDR-04-04	04